

# ASSEMBLY DRAWING

部件图示, 部件圖示



# ARMOR EVO

GAMING CHAIR



## INTEGRATED 4-WAY LUMBAR SUPPORT

四向可調式腰部支撐設計, 四向可調式腰部支撐設計

4-Way Lumbar Support can auto-adjust the seat contour to your lumbar area. It is adjustable in height and depth for conforming to your lower back, making you feel comfy and relaxed. Be your strong support in gaming!

四向可調整的腰部支撐設計, 讓椅背的腰部範圍, 藉由上下移動、前後凸起的動態調整, 打造最適合你的靠背曲線, 成為你遊戲體驗中最強大、最舒適的後盾。  
四向可調整的腰部支撐設計, 讓椅背的腰部範圍, 藉由上下移動、前後凸起的動態調整, 打造最適合你的靠背曲線, 成為你遊戲體驗中最強大、最舒適的後盾。

## FEATURES 产品特点, 產品特點

### ENGLISH

- 4-way Lumbar Support
- Magnetic Neck Pillow Memory Foam
- Body-embracing High Back Design
- Full steel frame
- Gas lift height adjustment
- 4D Adjustable arm rest
- 5 star metal base
- Breathable PVC leather
- Weight limit : 160kg

### FRANÇAIS

- Support lombaire à 4 directions
- Oreiller magnétique en mousse à mémoire de forme
- Conception à dossier haut qui épouse le corps
- Châssis entièrement en acier
- Réglage de la hauteur du vérin à gaz
- 4D Accoudoir réglable
- Base en métal 5 étoiles
- Cuir PVC respirant
- Limite de poids : 160kg

### DEUTSCH

- 4-Wege-Lendenwirbelstütze
- Magnetisches Nackenkissen aus Memory-Schaum
- Körperbetontes Design mit hoher Rückenlehne
- Vollstahlrahmen
- Höhenverstellung der Gasdruckfeder 5-Sterne-Metallbasis
- 4D Verstellbare Armlehne
- 5-Sterne-Metallfuß
- Atmungsaktives PVC-Leder
- Gewichtsbeschränkung: 160 kg

### ESPAÑOL

- Soporte lumbar de 4 vías
- Almohada magnética para el cuello de espuma viscoelástica
- Diseño de espalda alta que abraza el cuerpo
- Estructura de acero completa
- Ajuste de altura de elevador de gas
- 4D Reposabrazos ajustable
- Base de metal de 5 estrellas
- Cuero de PVC transpirable
- Límite de peso: 160 kg

### RUSSIAN

- 4-сторонняя поясничная поддержка
- Магнитная подушка для шеи с эффектом памяти
- Облегающий дизайн с высокой спинкой
- Полностью стальная рама
- Регулировка высоты газлифта
- 4D Регулируемый подлокотник
- 5 звезд металлическая основа
- Дышащая кожа из ПВХ
- Ограничение по весу: 160 кг

### PORTUGUÊS

- Suporte lombar de 4 vias
- Espuma de memória de traveseiro de pescoço magnético
- Design de costas altas que abraça o corpo
- Estrutura de aço completa
- Ajuste de altura do elevador de gás
- 4D Descanso de braço ajustável
- Base de metal 5 estrelas
- Couro de PVC respirável
- Limite de peso: 160kg

### KOREAN

- 4방향 요추 지지대
- 자기 목 베개 메모리 폼
- 몸을 감싸는 하이백 디자인
- 풀 스틸 프레임
- 가스 리프트 높이 조정
- 4D 조절 가능한 팔걸이
- 5성 메탈 베이스
- 통기성 PVC 가죽
- 무게 제한 : 160kg

### 日本語

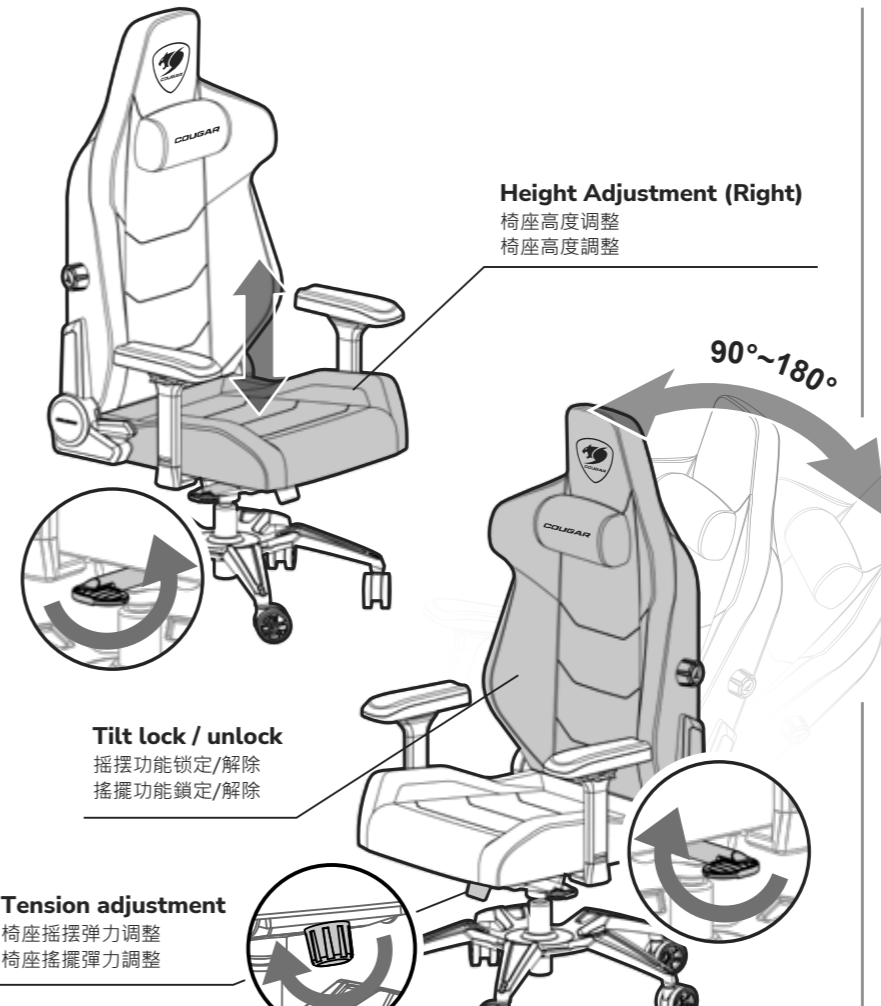
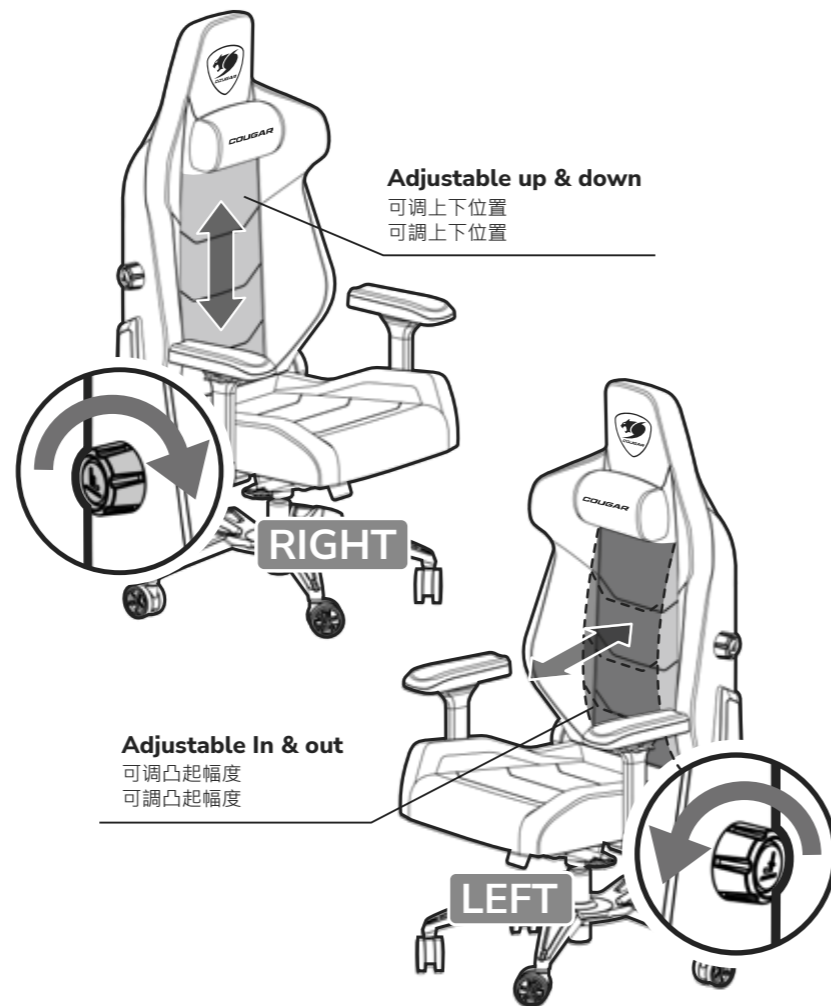
- 4ウェイランバーサポート
- 磁気ネックピロー-メモリーフォーム
- 体を包み込むハイバックデザイン
- フルスチールフレーム
- ガスリフト高さ調整
- 4D調節可能なアームレスト
- 星5メタルベース
- 通気性のあるPVCレザー
- 体重制限:160kg

### 簡中

- 4向可調式腰部支撐設計
- 磁吸式記憶頸枕
- 高背式環抱椅背設計
- 堅固的鋼管結構設計
- 椅座高低可調式設計
- 可調式4D扶手
- 堅固耐用的金屬椅腳
- 透氣的PVC皮革材質
- 最大可承重 160kg

### 繁中

- 4向可調式腰部支撐設計
- 磁吸式記憶頸枕
- 高背式環抱椅背設計
- 堅固的鋼管結構設計
- 椅座高低可調式設計
- 可調式4D扶手
- 堅固耐用的金屬椅腳
- 透氣的PVC皮革材質
- 最大可承重 160kg



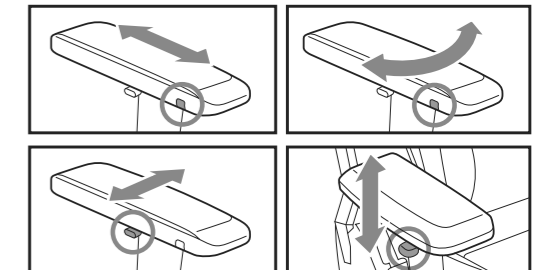
## Magnetic Neck Pillow Cushion

磁吸式記憶頸枕  
磁吸式記憶頸枕

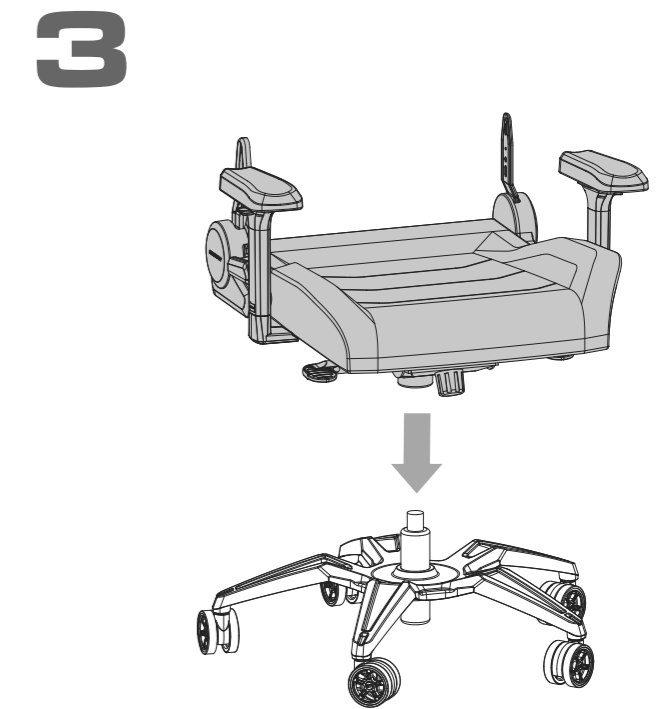
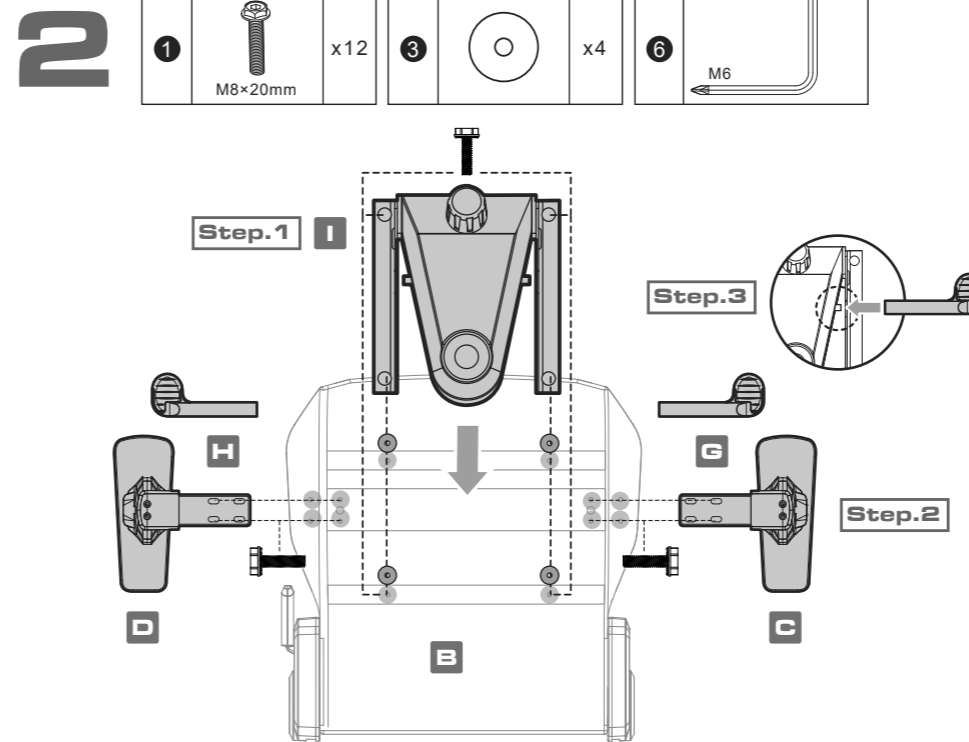
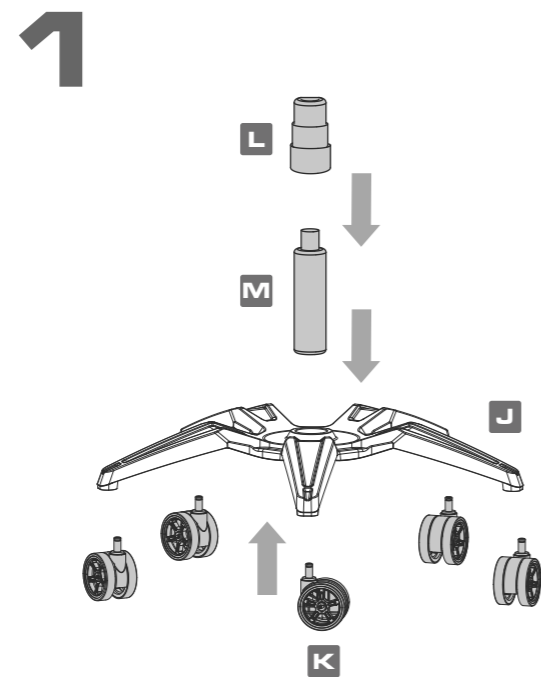


## Adjustable armrest

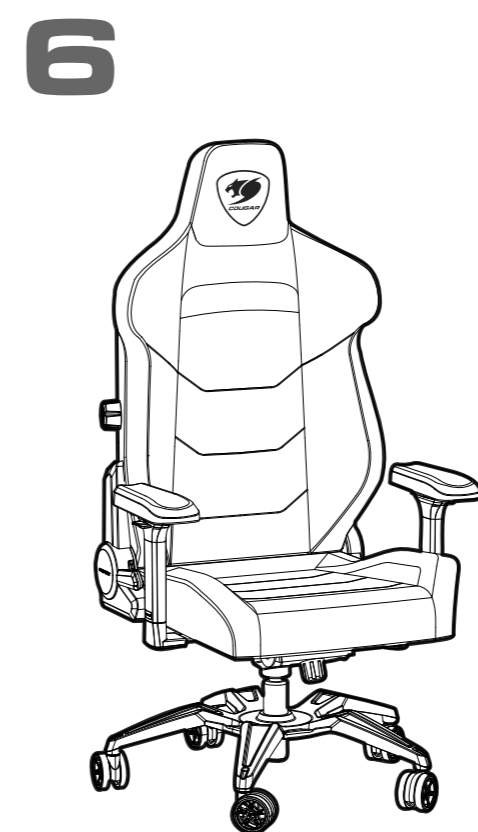
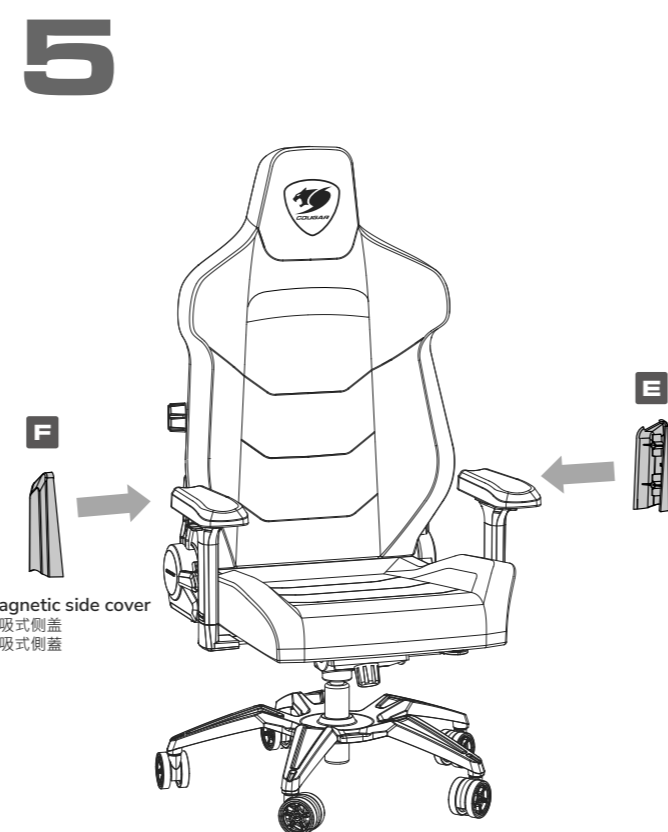
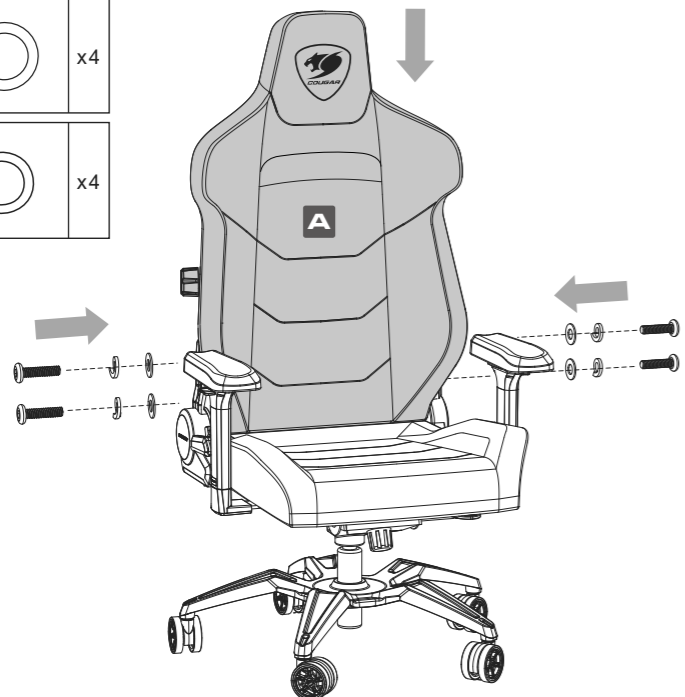
可調式扶手  
可調式扶手



<b>1</b> M8×20mm x12	<b>2</b> M8×25mm x4	<b>3</b> x4
<b>4</b> x4	<b>5</b> x4	<b>6</b> M6 x1



<b>2</b> M8×25mm x4	<b>6</b> M6 x1
<b>4</b> x4	
<b>5</b> x4	



MANUFACTURER CONTACT

制造商联系方式, 製造商聯繫方式

**COUGAR**

www.cougargaming.com COUGAR USA Technical Service  
Tel: (833) 256-3778  
Mail:rma@compucaseusa.com

Compucase Enterprise Co.,Ltd.  
All rights reserved. Made in China



Maximum stationary weight capacity 160kg. Please do not place any body or object above 160kg on this chair.  
本产品最大承受重量160公斤, 请勿将160公斤以上的身体或物体放在椅子上。  
本产品最大承受重量160公斤, 请勿将160公斤以上的身体或物体放在椅子上。

DISTRIBUTOR



GLOBAL WARRANTY POLICY 全球保固政策, 全球保固條款

**WARRANTY PERIODS OF COUGAR GAMING DEVICES**  
Product : COUGAR ARMOR EVO GAMING CHAIR  
Warranty : Please refer to our official website.  
(https://cougargaming.com/us/support/warranty/)  
保固政策: 中国地区购买, 请参考中国地区官方网站。  
(http://cougargaming.com.cn/support/warranty/)



詳細保固條件  
請掃描QR Code

This warranty gives you specific legal rights. You may also have other rights granted under local law. These rights may vary.

**WARRANTY AGREEMENT**  
• If the product has defects in material or manufacture, COUGAR will provide product repair and replacement service within the warranty period.  
• Our warranty service is based on the date of the invoice or warranty card.

**CONDITIONS WHERE FREE MAINTENANCE IS NOT PROVIDED**  
• Any fault or damage caused by natural disasters (including storm, fire, flood, thunder, earthquake, etc).  
• Any fault or damage caused by accidental factors and man-made reasons (including hit, scrape, crash, moving, compression, stain, corrosion, riot, misuse, malicious damage, etc).  
• Use in an improper operating environment (including high temperature, high humidity, water inflow, etc).  
• Inability to provide the product warranty card, purchase receipt or invoice to prove the product is still within the warranty period and the shipping date of the product is out of warranty.  
• The warranty card has been altered or its number is hard to identify.  
• The warranty period has expired.

• Any fault or damage caused by non-compliance with regulations stated on the user manual or improper, rough and careless treatment.  
• Any fault or damage caused by use of parts not certified by COUGAR original manufacturer.  
• The problem is caused by improper repair or adjustment by the buyer or any manufacturer without authorization from COUGAR.  
• The product is not acquired from an authorized distributor of the company or is acquired from illicit sources.  
• Paper carton, instruction and other accessories are not warranted.

**DISCLAIMERS**  
• COUGAR products should not be used as critical components in life support devices.  
• COUGAR is not liable for any damage of life and limb or damage or loss of property caused by or during COUGAR products' use as or with medical equipment, military equipment, traffic equipment and disaster prevention systems.  
• COUGAR's warranty liability is limited to repair or replacement. The decision on whether to repair or replace belongs exclusively to COUGAR.  
• COUGAR is, to the extent not prohibited by law, not liable for any damages; expenses; lost data, revenues, savings or profits; or any incidental or consequential damages happened while the use of a defective product from COUGAR or due to its use.

**LEGAL NOTICES**  
This manual was created by Compucase Enterprise and may not be completely or partially copied, passed on, distributed or stored without written consent by Compucase Enterprise.  
COUGAR® is a registered brand of Compucase Enterprise Other product and company names mentioned in this documentation may be brands or trademarks of their respective owners.  
Compucase Enterprise reserves the right to make changes concerning the contents of the manual and the technical data of the product without previous announcement.

**WARNING**  
• To adjust the chair height, gently pull the lever up. Do not use excessive force to pull the lever.  
• Please wear protective gloves when assembling the chair. It is your own responsibility to use appropriate protection to prevent any physical damage.  
• When rocking the chair, using it in any other way or adjusting the height, inclination, position or balance of the chair or any of its components, please:  
• Pay attention to your hand's position and keep it away from spaces in which it could get caught or be injured.  
• Do not make fast or violent movements.  
(when the chair is in movement) do not touch any of the chair's adjustment controls to prevent affecting its stability and causing a potentially dangerous fall.  
(when reclining the chair to its full extent) set the related control level in lock position and keep both feet on the ground, as well as abstain from any violent, rough or strong movement which could cause the chair to tip over.  
• Keep in mind that this chair is designed only for sitting and reclining, and that it should be used only for those uses.  
• Do not sit on the edge of the chair or the arm rests.  
• Do not place the chair in a location in which it is likely to be subjected to prolonged sunlight exposure.  
• The product's colors might fade when exposed to sunlight.  
• Do not use abrasive products or scrub energetically when cleaning. Please stick to gentle products suitable for delicate materials.  
• All parts should be checked monthly to confirm their integrity and to make sure that the screws are not loose.  
• If any part of the product is or appears to be damaged, missing or loose, please contact the local distributor and do not use the product.

**ДАТА ИЗГОТОВЛЕНИЯ ПРОДУКЦИИ**  
год и месяц изготовления продукции указаны в серийном номере продукта.  
(существует 2 способа определения даты изготовления, оба способа описаны ниже)  
**A** После S/N: первые две цифры означают год, вторые две – месяц изготовления.  
Например, S/N: H1702000001 означает, что товар был произведен в феврале 2017 года.  
**B** После S/N: если указаны буквы, то две буквы представляют цифры из таблицы ниже, и означают год, последующие две цифры – месяц изготовления.  
Например, S/N: DAG02REVI000001 означает, что товар был произведен в феврале 2017 года.

A	B	C	D	E	F	G	H	I	J
1	2	3	4	5	6	7	8	9	0

• Например, AG = 17 = 2017 год



**COUGAR**  
REAL GEAR FOR REAL GAMERS

www.cougargaming.com  
facebook.com/cougargaming  
youtube.com/user/COUGARGLOBAL